

SIDE VIEW

FRONT VIEW

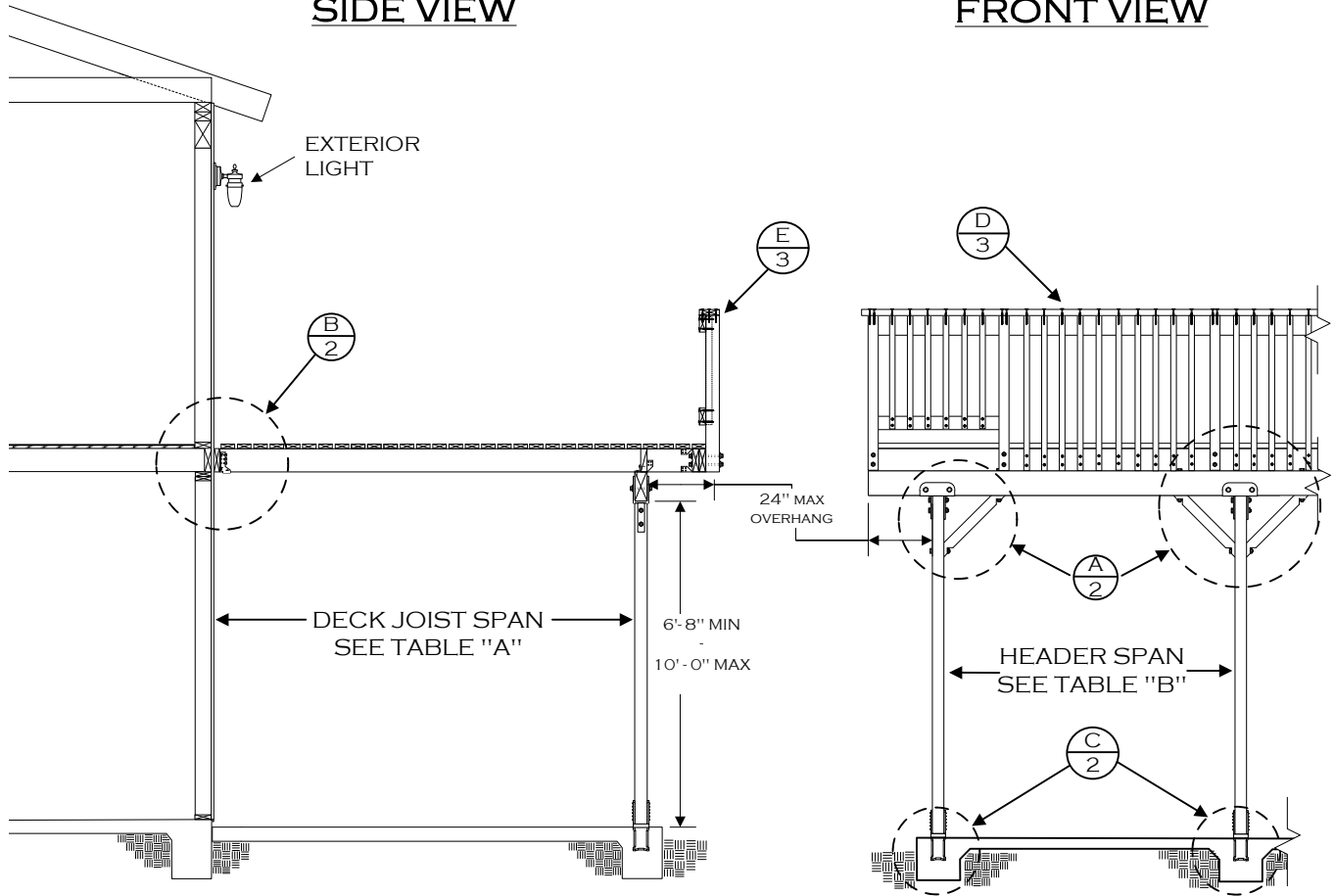


TABLE "A"
DECK JOIST SPANS
 (DOUGLAS FIR #2 OR BETTER)

SIZE	SPACING	SPAN
2 x 6	12" o.c.	10' - 6"
	16" o.c.	9' - 0"
	24" o.c.	7' - 6"
2 x 8	12" o.c.	14' - 0"
	16" o.c.	12' - 0"
	24" o.c.	9' - 6"
2 x 10	16" o.c.	15' - 0"
	24" o.c.	12' - 0"
2 x 12	24" o.c.	14' - 0"
4 x 6	12" o.c.	14' - 6"
	16" o.c.	13' - 6"
	24" o.c.	11' - 6"
4 x 8	24" o.c.	15' - 0"
4 x 10	32" o.c.	15' - 0"

TABLE "B"
HEADER SIZING & SPANS
 (DOUGLAS FIR #2 OR BETTER)

JOIST SPAN	HEADER	
	SIZE	SPAN
UPTO 8'-0"	4 X 8	8'-0"
	4 X 10	10'-0"
	4 X 12	11'-6"
	6 X 12	14'-0"
8'-1" - 10'-0"	4 X 8	7'-6"
	4 X 10	9'-6"
	4 X 12	11'-0"
	6 X 12	13'-0"
10'-1" - 12'-0"	4 X 8	7'-0"
	4 X 10	9'-0"
	4 X 12	10'-0"
	6 X 12	12'-0"
12'-1" - 15'-0"	4 X 8	6'-6"
	4 X 10	8'-0"
	4 X 12	9'-6"
	6 X 12	11'-0"

TABLE "C" ▲
LEDGER BOLT SPACING
 (3/8 DIA. X 6" LAG BOLTS - SEE NOTE 1)

DECK JOIST SPAN	SPACING
8'-0" OR LESS	8" O.C.
8'-1" TO 10'-0"	6" O.C.
10'-1" TO 12'-0"	5-1/2" O.C.
12'-1" TO 14'-0"	4-1/2" O.C.
14'-1" TO 15'-0"	4" O.C.

NOTES:

1. LEDGER BOLTS SHALL BE 3/8" DIA. X 6" LONG WITH 1/4" DIA. PRE DRILLED HOLES. BOLTS ARE TO BE PLACED STAGGERED.
2. ALL METAL HARDWARE & SCREWS TO BE GALVANIZED OR OTHERWISE APPROVED CORROSION RESISTANCE
3. MAXIMUM 5' JOIST SPAN IF 2ND FLOOR IS CANTILEVERED AT LEDGER.
4. SHEAR WALLS MAY NOT BE MODIFIED UNLESS STRUCTURAL CALCULATIONS ARE SUBMITTED AND APPROVED BY THE BUILDING DEPARTMENT
5. USE OF THIS STANDARD IS LIMITED TO R-3 OCCUPANCIES (SINGLE FAMILY DWELLINGS AND DUPLEX) ▲

DISCLAIMER:

ALTERNATE DECK DESIGNS MAY BE POSSIBLE WHEN PROVIDED WITH AN ENGINEERED ANALYSIS. USE OF THIS CONVENTIONAL STANDARD DESIGN IS AT THE USER'S RISK AND CARRIES NO IMPLIED OR INFERRED GUARANTEE AGAINST FAILURE OR DEFECTS.

WESTERN RIVERSIDE COUNTY CODE UNIFORMITY PROGRAM



**CITY OF RANCHO MIRAGE
 BUILDING & SAFETY**

BALCONY/DECK STANDARD

PHONE (760) 202-9253

69-825 HIGHWAY 111, RANCHO MIRAGE, CA 92270

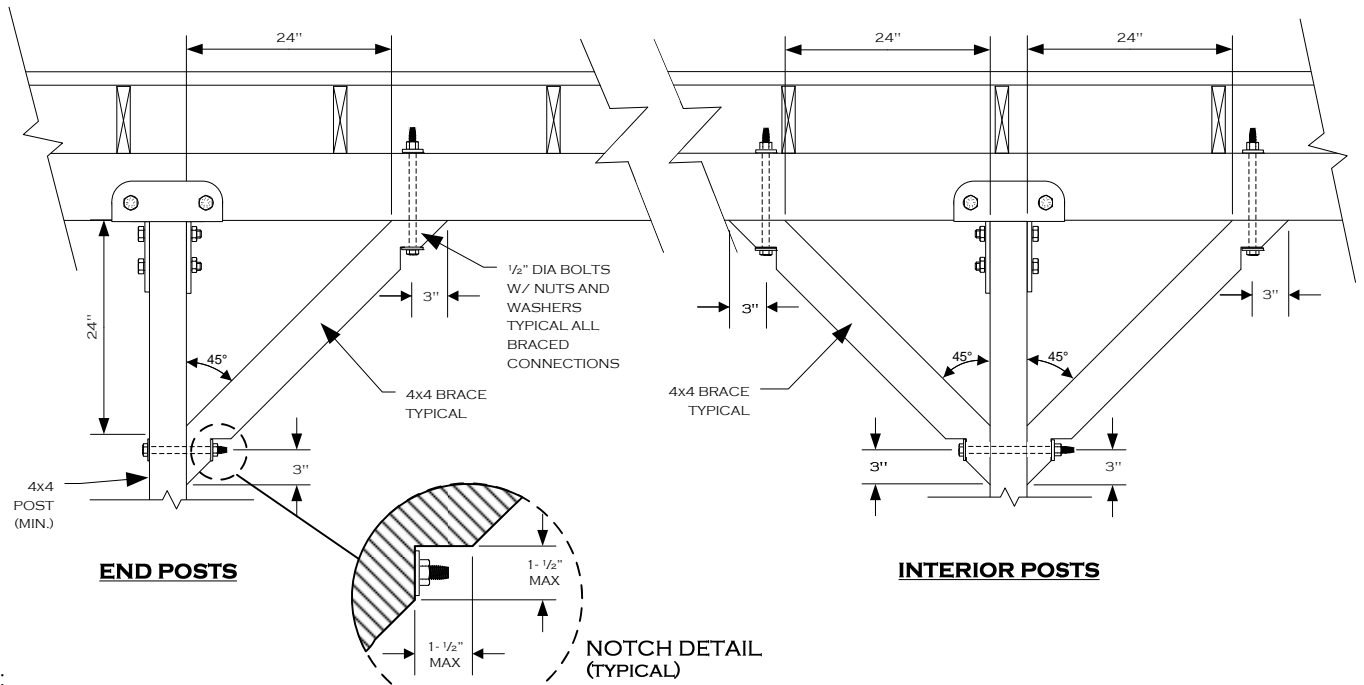
FAX (760) 324-8169

1/8/2008 ▲

DECKSTDS2008SECOND
 CUTRANCHO MIRAGEVSD

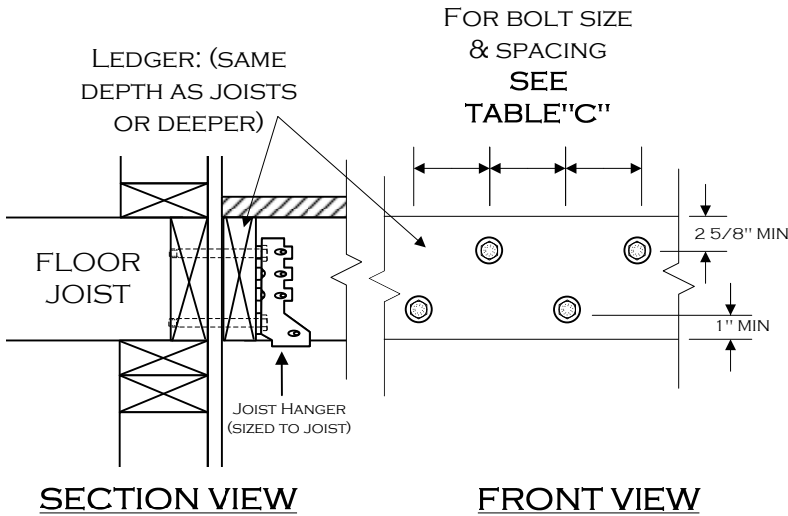
PAGE 1 OF 4

KNEE BRACE DETAIL (A)

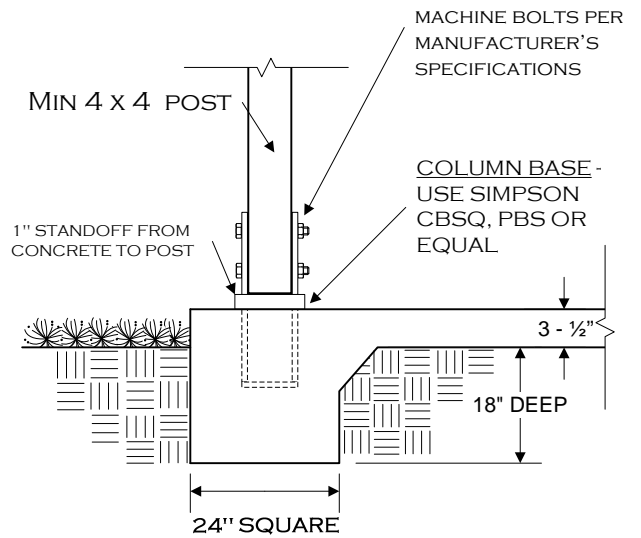


NOTE:
 1. END POSTS REQUIRE SINGLE KNEE BRACE. ALL INTERIOR POSTS TO HAVE DOUBLE BRACES.



LEDGER DETAIL (B)



FOOTING DETAIL (C)



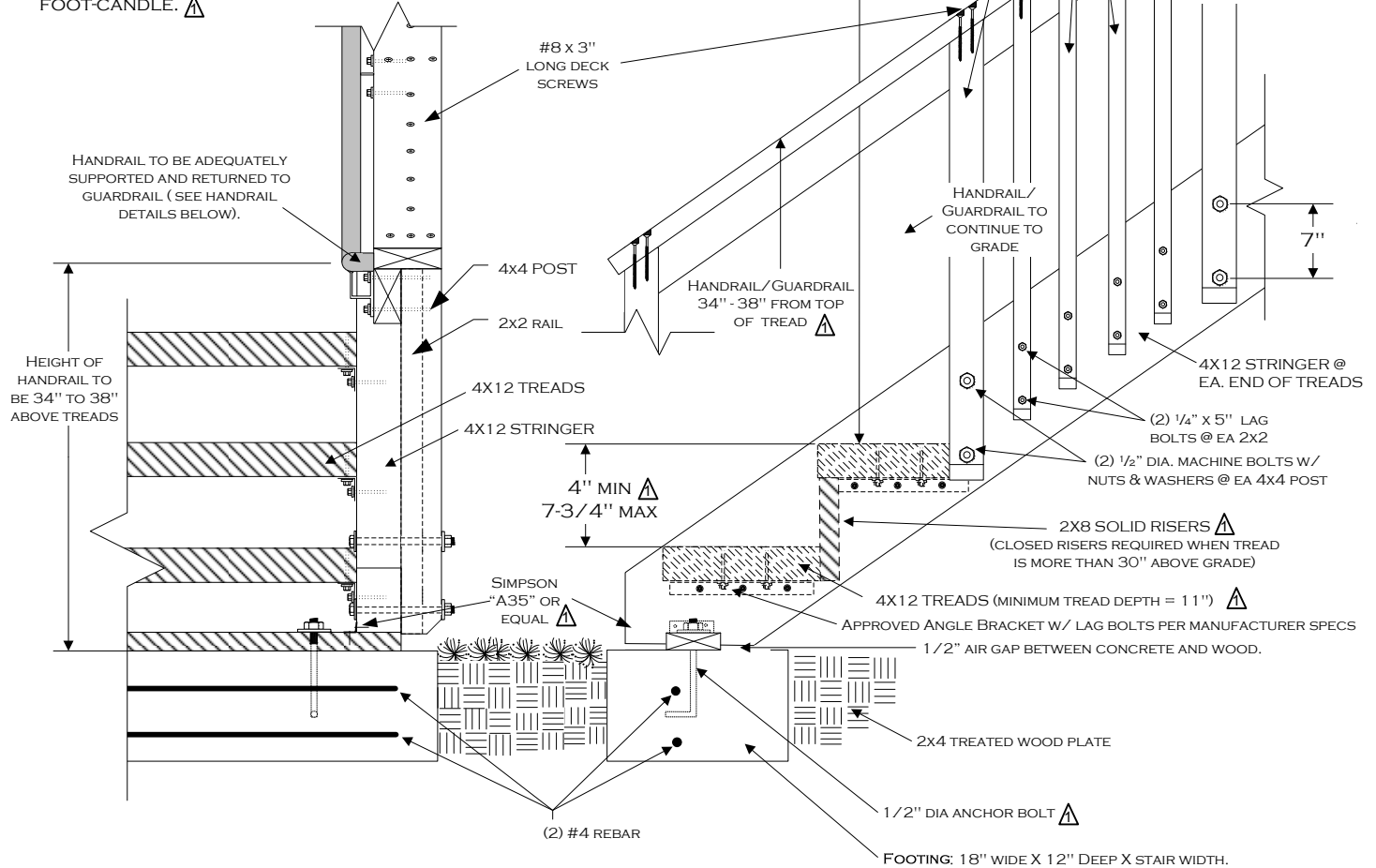
NOTE: THIS DECK CONNECTION DETAIL IS BASED ON THE ASSUMPTION THAT A MINIMUM 1-1/2" THICK WOOD MEMBER IS ADEQUATELY INSTALLED AT ALL EDGES OF THE 2ND FLOOR DIAPHRAGM. IF ANY OTHER MATERIAL IS USED, SUCH AS TJI JOISTS, A SPECIAL ENGINEERED DESIGN WILL BE REQUIRED. IT IS THE OWNER'S RESPONSIBILITY TO VERIFY THE PRESENCE OF THE APPROPRIATE RIM JOIST.

WESTERN RIVERSIDE COUNTY CODE UNIFORMITY PROGRAM			
		CITY OF RANCHO MIRAGE	
		BUILDING & SAFETY	
BALCONY/DECK STANDARD			
PHONE (760) 202-9253		69-825 HIGHWAY 111, RANCHO MIRAGE, CA 92270	
FAX (760) 324-8169		1/8/2008 	DECKSTDS2008SECOND CUTRANCHO MIRAGE.VSD PAGE 2 OF 4

OPTIONAL EXTERIOR STAIRWAY

NOTES:

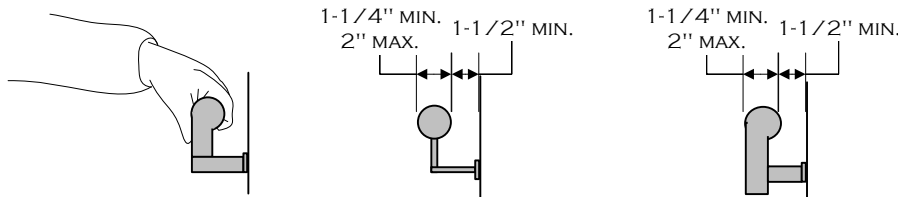
1. THE TOLERANCE BETWEEN THE LARGEST AND SMALLEST TREAD DEPTH OR BETWEEN THE LARGEST AND SMALLEST RISER HEIGHT SHALL NOT EXCEED 3/8" IN THE STAIRWAY. ⚠
2. STAIRWAY WIDTH 36" MIN – 48" MAX.
3. TREADS MUST HAVE APPROVED SLIP RESISTANT SURFACE
4. ALTERNATE STAIRWAY DESIGNS MAY BE ACCEPTABLE PENDING BUILDING DEPARTMENT APPROVAL.
5. LIGHTING LEVEL AT ALL STAIR TREADS TO BE A MINIMUM OF 1 FOOT-CANDLE. ⚠



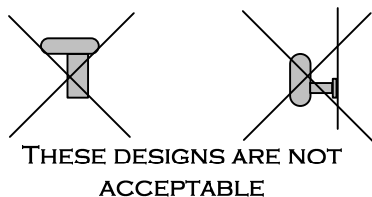
FRONT VIEW


SIDE VIEW

HANDRAIL DETAILS



NOTE: OTHER SHAPES MAY BE ACCEPTABLE IF THEY PROVIDE AN EQUIVALENT GRIPPING SURFACE.



WESTERN RIVERSIDE COUNTY CODE UNIFORMITY PROGRAM	
	CITY OF RANCHO MIRAGE
	BUILDING & SAFETY
BALCONY/DECK STANDARD	
PHONE (760) 202-9253	69-825 HIGHWAY 111, RANCHO MIRAGE, CA 92270
FAX (760) 324-8169	1/8/2008 ⚠ DECKSTDS2008SECOND CUTRANCHO MIRAGE.VSD PAGE 4 OF 4